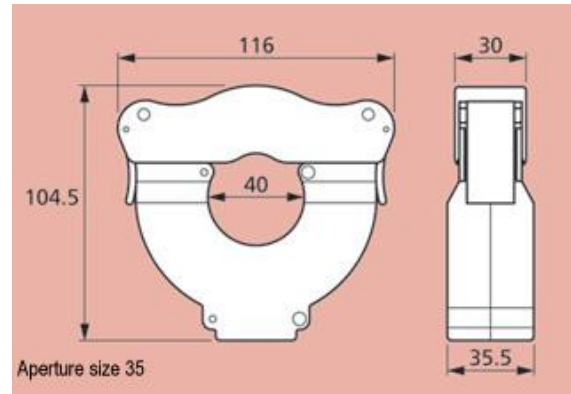


# Split Core Current Transformer

## with snap lock



### Description

Split core current transformer in insulated polymer casing. Assembly on HV cable is made without tools.

### Technical Data

Ratio:	150/1 or 300/1
Thermal current:	133% (200 or 400 A)
Opening:	34 mm
Diameter:	40 mm
Class:	Class 1, FS10
Insulation class:	0.72 / 3 kV
Short-circuit current:	20 kA
Temperature range:	-25°C to 75°C
Fire protection class:	UL94VO
Secondary cable length:	4 m
Weight:	860 g

### Ordering Information

#### Product Code

150/1 product code is specified as 606550(-X)

300/1 product code is specified as 606551(-X)

#### Options

Longer secondary cable is optional.

Option X = Extra long cable (replace X with length)

**0 – Basic version, 4 m cable**

**X – Option, X m cable**

Please note that other lengths than 4 m must be manufactured on demand. Please contact us for more information if this option is of interest.